



FXD02 RECESSED DOWNLIGHT



VARIANTS AVAILABLE: SELF-TEST / DALI-2

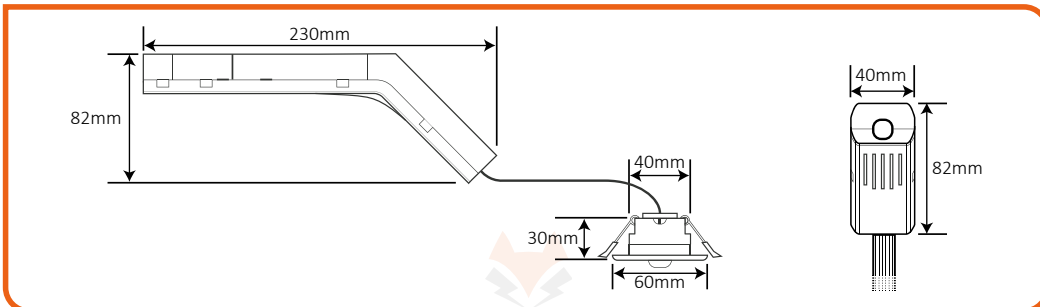
- Highly efficient optical performance
- Built in strain relief
- Available in black
- 8 year warranty including battery
- Remote control compatible
- Pre-commissioning feature via REM-E1



Part Number	Description	Output	Optic	Beam Angle
FXD02S-3-O-3	Recessed Downlight - Open Area Lens - Self-test	330lm	Open Area	147°
FXD02S-3-C-3	Recessed Downlight - Corridor Lens - Self-test	290lm	Corridor	147° x 80°
FXD02DL-3-O-3	Recessed Downlight - Open Area Lens - DALI-2	330lm	Open Area	147°
FXD02DL-3-C-3	Recessed Downlight - Corridor Lens - DALI-2	290lm	Corridor	147° x 80°

NOTE: Self-test luminaires are configured to manual test mode by default. If self-test mode is required, it should be activated via remote control. Available in black, add **-BLK** to the end of the product code to order. DALI versions are not compatible with REM-E1

DIMENSIONS



Technical Data	FXD02S-3-* -3	FXD02DL-3-* -3
Rated Supply Voltage	220-240V AC	220-240V AC
Mains Frequency	50 / 60 Hz	50 / 60 Hz
Max. Power Consumption	5W	5W
Standby Power	<0.5W	<0.5W
Emergency Output Power	3W	3W
Rated Emergency Duration	3hrs**	> 3hrs
Battery Charge Time	8hrs (Initial up to 16 hrs)	20hrs
Operational Temperature	0°C to 40°C	0°C to 40°C
Storage Temperature	0°C to 50°C	0°C to 50°C
Insulation Class	II	II
Ingress Protection	Front face IP54 / Body IP20	Front face IP54 / Body IP20
Impact Protection	IK06	IK06
Battery Type	2 x 18650 Li-ion 3.6V 5.0Ah	2 x 18650 Li-ion 3.6V 5.0Ah
Battery Code	FXC3.6-5000-A35	FXC3.6-5000-A35

*Refers to head type. Head type does not affect the technical data.
 **To optimise long-term battery performance, the luminaire will operate for 3 hours before automatically shutting down.

Logistics Information	FXD02S-3-* -3	FXD02DL-3-* -3
Product Dimensions	Head:Ø60 x 30mm Body:230 x 82 x 40mm	Head:Ø60 x 30mm Body:230 x 82 x 40mm
Net Weight	0.24kg	0.24kg
Box Dimensions	245 x 50 x 95mm	250 x 45 x 100mm
Gross Weight	0.29kg	0.30kg
Box Qty	36pcs	36pcs
Carton Dimensions	500 x 285 x 310mm	515 x 290 x 315mm
Carton Weight	11.00kg	11.10kg
Commodity Code	9405423100	9405423100

Luminaire Materials	
Housing	Polycarbonate
Finish	Matt
Colour	White (black optional)
Screws	Nickel Steel

LED Light Source	
Type	5050
Colour Temp.	4000K
CRI	>80
LED Lifetime	50,000hrs

SELF-TEST

Indicator LED Status		
GREEN LED	RED LED	STATUS
On	Off	Standby
Slow Flash	Off	Charging
Fast Flash	Off	Function test or duration Test in progress
Off	On	Battery disconnected / Duration test failed
Slow Flash	Slow Flash	Battery temp. out of operational range
Off	Slow Flash	Light source fault

DALI-2

Indicator LED Status		
GREEN LED	RED LED	STATUS
On	Off	Standby
Slow Flash	Off	Duration test in progress
Fast Flash	Off	Function test in progress
Off	On	Battery temp. out of operational range
Off	Slow Flash	Battery disconnected / Duration test failed
Off	Fast Flash	Battery low voltage.
Off	Off	Emergency function in operation
Alternating G > R > G...		DALI-2 identifying code

ACCESSORIES

REMOTE CONTROL



REM-E1

Dimensions	117 x 38 x 13mm
Gross Weight	0.03kg
Commodity Code	85437003

- Infrared remote control for all Fox Lux self-test luminaires, modules and remote packs.
- Batteries not included, requires 2 x AAA.
(NOT COMPATIBLE WITH DALI-2 PRODUCTS.)

DOWNLIGHT BEZEL



FXD02-PB12

Dimensions	120 x 120 x 2mm
Gross Weight	0.02kg
Commodity Code	90021100

- Downlight bezel for use with existing oversized cutouts.
- Available in black add **-BLK** to the end of the product code to order.

