

### Technical Data

Model Variant	FXE06DL-55
Rated Supply Voltage	220-240V AC
Mains Frequency	50 / 60 Hz
Max. Power Consumption	5W
Standby Power	< 0.8W
Emergency Output Power	3W nominal or 6W nominal (selectable)
LED Forward Voltage Range	10 to 50V DC
Max. Output Voltage	60V DC
Rated Emergency Duration	3 hours
Battery Charge Time	< 20 hours at 3W / < 40 hours at 6W
Operating Temperature	0 to 50°C
Insulation Class	Reinforced
Module Tc. Max.	70°C
Dimensions (L x W x H)	185 x 32 x 24 mm
Battery Compatibility	2 x 18650 Li-ion 3.6V 5.0Ah / 4 x 18650 Li-ion 3.6V 10.0Ah
Battery Code	FXC3.6-5000-D300 / FXC3.6-10000-D300

### When used in conjunction with an LED driver, the following values must not be exceeded.

Max. Output Current of LED Driver	5.0A Peak
Max. Inrush Current of LED Driver	60A Peak for 1ms / 84A for 255µs
Max. Load of LED Driver	200W Max.

Self-test function is enabled by default.

With this feature enabled, functional tests are conducted every 7 days and full duration tests are conducted every 52 weeks.

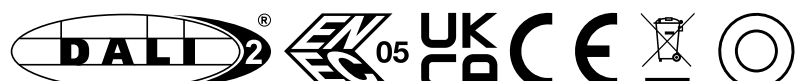
This behaviour can be manually overridden with the use of a DALI application controller.

Following a mains supply failure, the module will operate a luminaire for > 3hrs.

Full recharge will be completed in < 20hrs for 3W operation and < 40hrs for 6W operation.

The battery must be recharged within 6 months of full discharge.

When the rated operational time is no longer reached after a full recharge, the battery must be replaced.



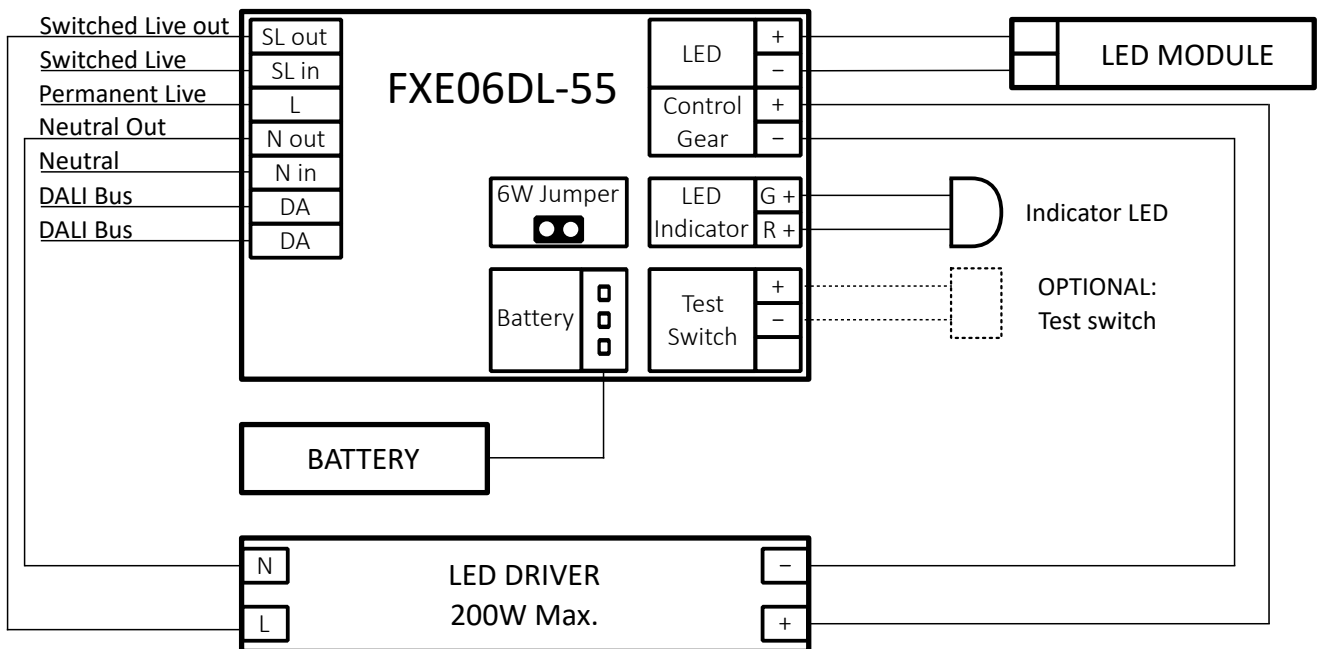
**FXE06DL-55 DALI-2 LED EMERGENCY CONVERSION KIT**

**Indicator LED Status**

GREEN LED	RED LED	STATUS
On	Off	Standby
Slow Flash	Off	Duration test in progress
Fast Flash	Off	Function test in progress
Off	On	Fault with connected load / out of temperature range
Off	Slow Flash	Battery disconnected / test failure
Off	Fast Flash	Battery low voltage
Off	Off	Emergency function in operation
Alternating Green > Red > Green > Red...		DALI-2 identifying code

NOTE: "Slow Flash" = 1 flash every 2 seconds. "Fast Flash" = 2 Flashes per second

**Wiring Diagram**



The FXE06DL-55 can operate as either 3W or 6W emergency output. (nominal values).

Configuration is made via a jumper located on the top of the module as shown in the diagram above.

As standard, the module will operate in the 3W mode, removal of the jumper will cause the module to operate in 6W mode.

In 3W configuration the 5Ah battery should be used: FXC3.6-5000-D300.

In 6W configuration the 10Ah battery should be used: FXC3.6-10000-D300.