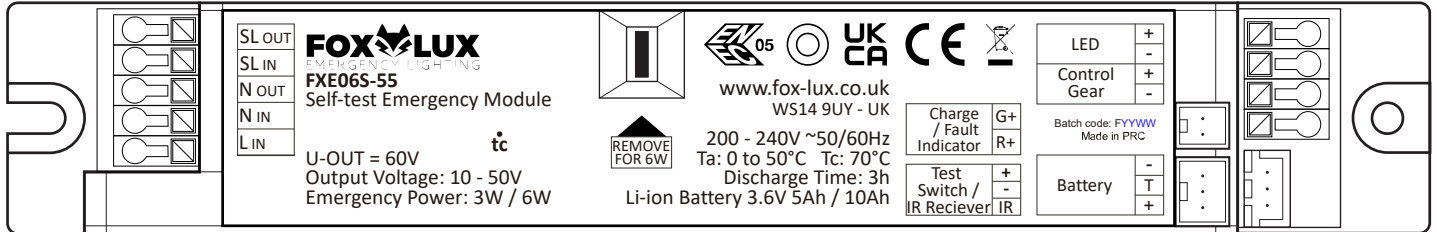


## FXE06S-55 SELF-TEST\* LED EMERGENCY CONVERSION KIT



### Technical Data

Model Variant	FXE06S-55
Rated Supply Voltage	220-240V AC
Mains Frequency	50 / 60 Hz
Max. Power Consumption	5W
Standby Power	< 0.9W
Emergency Output Power	3W nominal or 6W nominal (selectable)
LED Forward Voltage Range	10 to 50V DC
Max. Output Voltage	60V DC
Rated Emergency Duration	3 hours
Battery Charge Time	< 16 hours
Operating Temperature	0 to 50°C
Insulation Class	Reinforced
Module Tc. Max.	70°C
Dimensions (L x W x H)	185 x 30 x 24 mm
Battery Compatibility	2 x 18650 Li-ion 3.6V 5.0Ah / 4 x 18650 Li-ion 3.6V 10.0Ah
Battery Code	FXC3.6-5000-D300 / FXC3.6-10000-D300

### When used in conjunction with an LED driver, the following values must not be exceeded.

Max. Output Current of LED Driver	5.0A Peak
Max. Inrush Current of LED Driver	60A Peak for 1ms / 84A for 255µs
Max. Load of LED Driver	200W Max.

\*Self-test function is disabled by default. To enable this feature, remove the self-test jumper from the top of the module prior to connection of the battery.

With this feature enabled, functional and duration tests are conducted according to BS EN 50172:2004

This product is compatible with our infrared remote control. See product REM-E1 for more details.

To optimise long-term battery performance, the module will operate a luminaire for 3 hours before automatically shutting down.

The battery must be recharged within 6 months of full discharge.

When the rated operational time is no longer reached after a full recharge, the battery must be replaced.



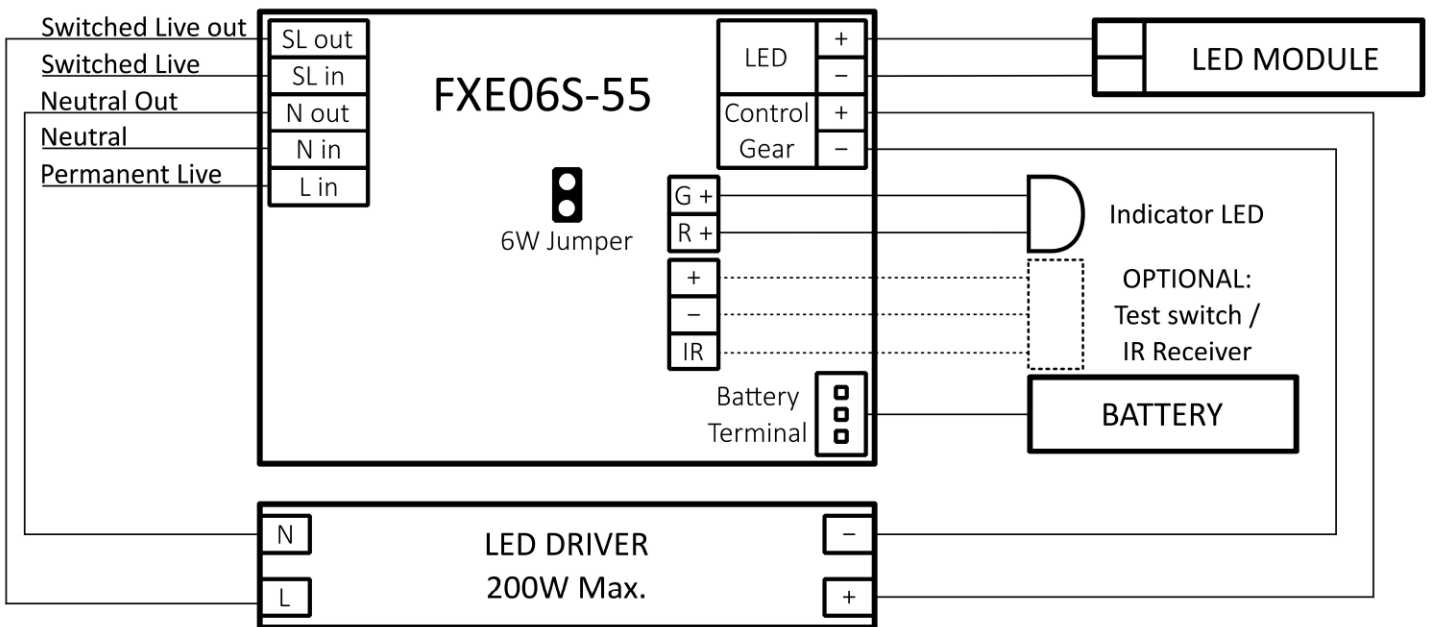
**FXE06S-55 SELF-TEST\* LED EMERGENCY CONVERSION KIT**

**Indicator LED Status**

GREEN LED	RED LED	STATUS
On	Off	Standby
Slow Flash	Off	Charging
Fast Flash	Off	Function test or duration test in progress
Off	On	Battery disconnected / Duration test failed
Off	Fast Flash	Battery temperature out of operational range
Off	Slow Flash	Light source fault

NOTE: "Slow Flash" = 1 flash per second. "Fast Flash" = 2 Flashes per second

**Wiring Diagram**



The FXE06S-55 can operate as either 3W or 6W emergency output. (nominal values).

Configuration is made via a jumper located on the top of the module as shown in the diagram above.

As standard, the module will operate in the 3W mode, removal of the jumper will cause the module to operate in 6W mode.

In 3W configuration the 5Ah battery should be used: FXC3.6-5000-D300.

In 6W configuration the 10Ah battery should be used: FXC3.6-10000-D300.